

- Reference hydrophone for high frequencies
- Linear receiving response from 100kHz to 500kHz
- Individually calibrated
- Calibration as standard reference hydrophone traceable to national standards established at NPL, UK

TC4038

The TC4038 is a miniature probe hydrophone, specifically designed as a standard reference hydrophone for high frequencies in the range: 100kHz to 500kHz.

The TC4038 provides a flat frequency response and omnidirectional characteristics in the specified frequency range. The sensor element has excellent stability, which ensures reliable sensitivity over long periods of time.

Because of its small size, the TC4038 is an ideal hydrophone for acoustic measurements in near fields.

TECHNICAL SPECIFICATIONS

Usable Frequency range:	10kHz - 800kHz
Linear Frequency range:	100 to 500kHz ± 3 dB
Receiving Sensitivity nominal:	-228dB ± 3 dB re 1V/ μ Pa (at 100kHz)
Horizontal Directivity Pattern:	Omnidirectional ± 2 dB (at 100kHz)
Vertical Directivity Pattern:	60° to 120° ± 3 dB (at 100kHz)
Max. Operating Pressure:	0,2MPa = 2atm
Max. Operating Depth:	20m
Max. Survival Depth:	30m
Equivalent noise:	80dB re 1 μ Pa (with VP1000 Pre-amp $\sqrt{\text{Hz}}$ at 1 kHz)
Max. Sound Pressure:	0,3M Pa
Operating Temperature range:	-2°C to +40°C
Storage Temperature range:	-30°C to +50°C
Leakage Resistance:	>2Gohm
Impedance:	100Mohm (Min. input for min. noise down to 10 kHz lower frequency limit)
Weight in Air:	20grams
Cable (length and type):	2m double shielded low noise FEP. Insulated OD 1,65mm



The sensor element is permanently encapsulated in high density polyurethane to ensure long term reliability. The strain relief and outer jacket of the cable is also made of high density polyurethane.

4038 can be used in sea or fresh water.

4038 can be used as a projector but is not designed for it – do not exceed 25Vrms. Duty cycle need to be low around 1%.



Hydrophone TC4038

Broad Band Miniature Probe Hydrophone

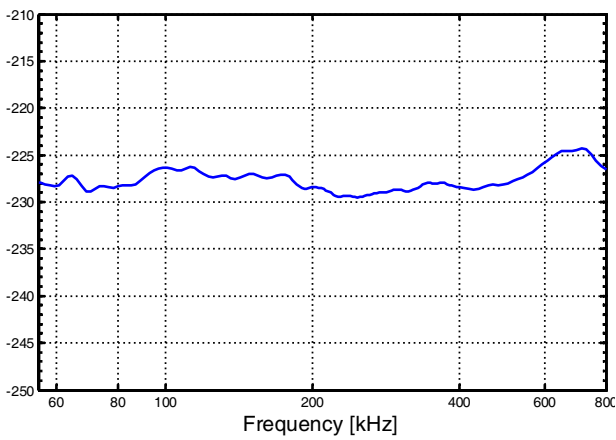
Documentation:

Receiving sensitivity:
50 kHz to 800 kHz 250 kHz

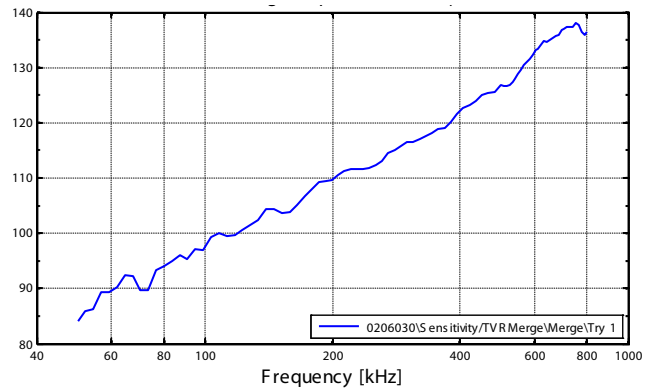
Horizontal directivity:

Vertical directivity:
250 kHz

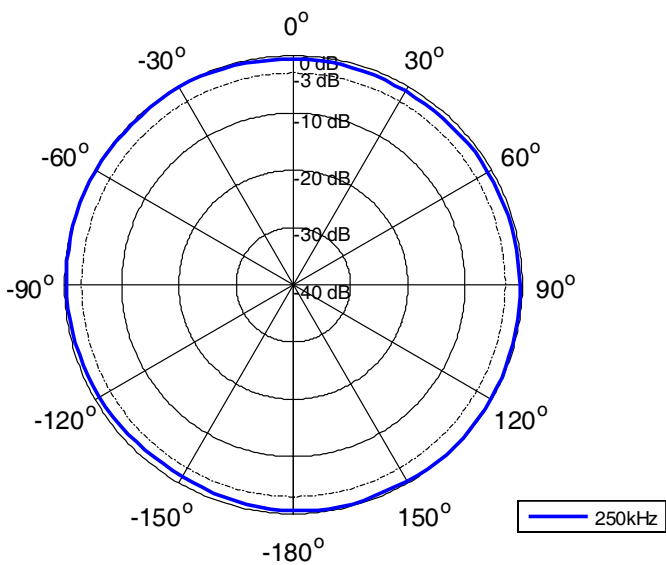
Receiving Sensitivity [dB re 1V/ μ Pa @ 1m]



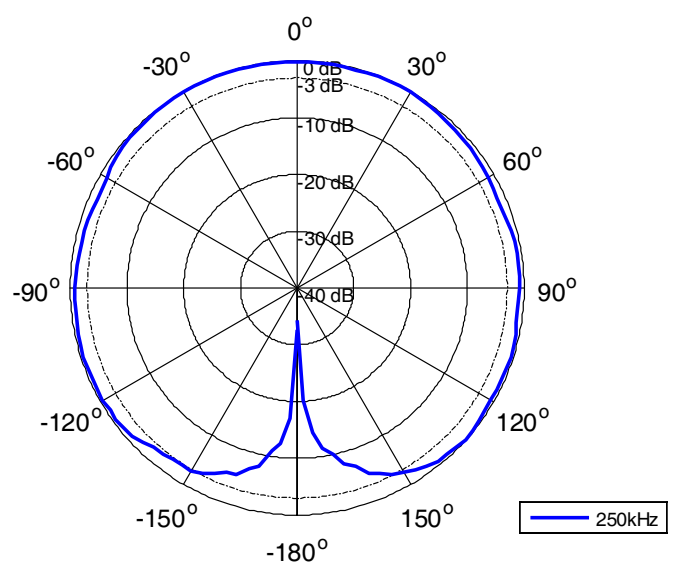
Transmitting Response [dB re 1 μ Pa/V @ 1m]



Horizontal directivity pattern



Vertical directivity pattern

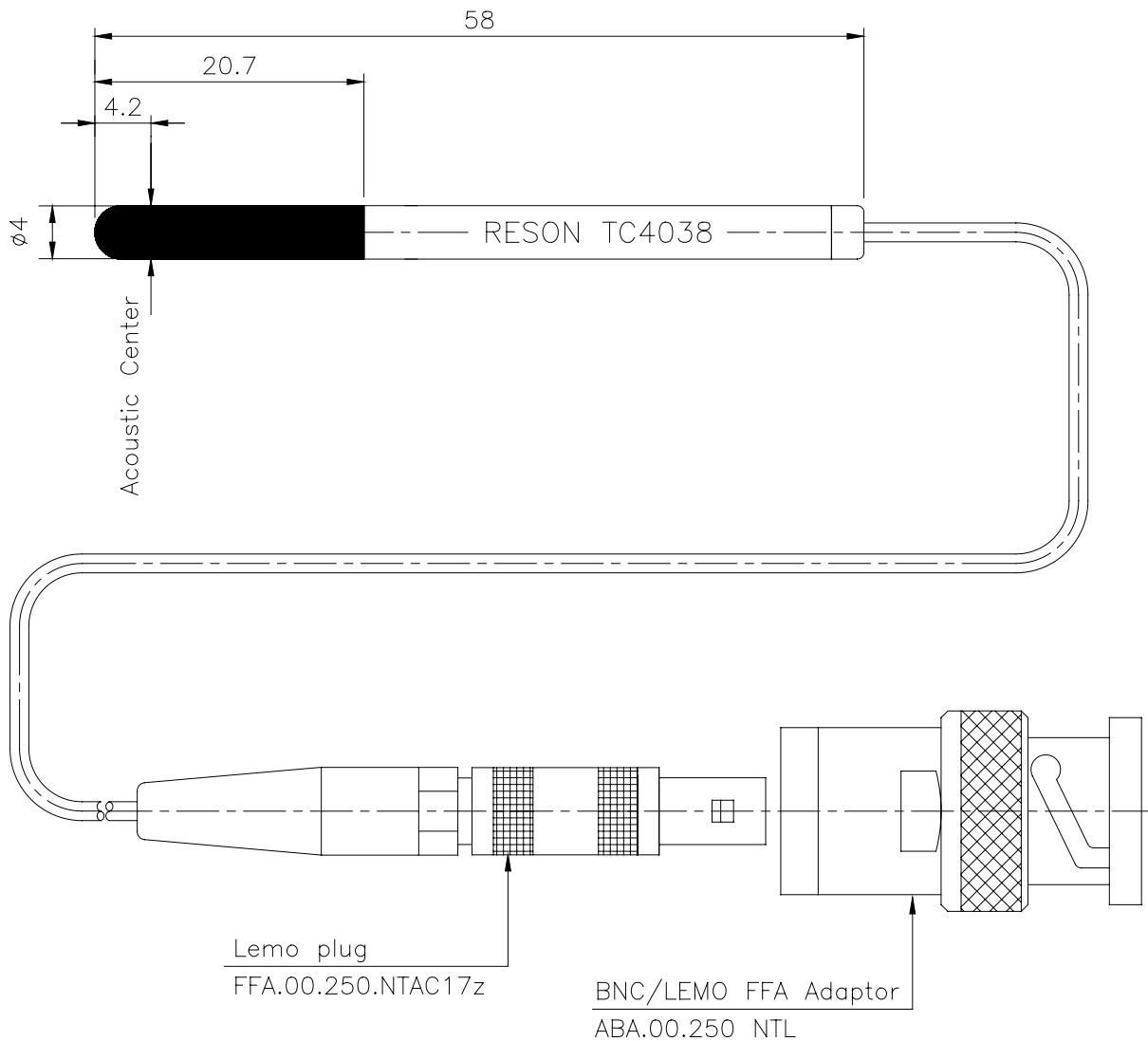


Accessories included:

- BNC to MEMO FFA Adapter: 1 pcs Lemo part No.: ABA 00250 NTL

The calibration as standard reference hydrophones are traceable to national standards established at NPL (available upon request).

Outline Dimensions



RESON reserves the right to change specifications without notice. © 2005 RESON A/S
For Acoustical Measurement Accuracy please refer to www.reson.com or contact sales.

RESON A/S
Denmark
Tel: +45 4738 0022
E-mail: reson@reson.dk

RESON GmbH
Germany
Tel: +49 431 720 7180
reson@reson-gmbh.de

RESON Inc.
USA
Tel: +1 805 964-6260
E-mail: sales@reson.com

RESON B.V.
The Netherlands
Tel: +31 (0)10 245 1500
info@reson.nl

RESON Offshore Ltd.
United Kingdom
Tel: +44 1224 709 900
E-mail: sales@reson.co.uk

RESON (Pte.) Ltd
Singapore
Tel: +65 6725 9851
sales@reson.com