

- Reference hydrophone for high frequencies
- Linear receiving response from 100kHz to 500kHz
- Long term stable sensitivity
- Individually calibrated
- Calibration as standard reference hydrophone traceable to national standards established at NPL

TC4035

The TC4035 is a miniature probe hydrophone specifically designed as a standard reference hydrophone for sound measurements in the frequency range 100 to 500kHz.

The hydrophone incorporates a 10dB low-noise pre-amplifier, which includes an insert calibration circuit for convenient electrical testing of the hydrophone condition. The pre-amp has a drive capability for cable length up to 25 meters.

The hydrophone offers a useable frequency range from 10 to 800kHz with good omnidirectional characteristics in the horizontal and the vertical plane.

TECHNICAL SPECIFICATIONS

Receiving Sensitivity Typical:	-214dB ±2dB re 1V/μ Pa (at 100kHz)
Linear Frequency Range:	100kHz to 500kHz ±3dB
Usable Frequency Range:	10kHz to 800kHz
Horizontal Directivity:	Omnidirectional ±2dB (at 250kHz)
Vertical Directivity:	60° to 120° ±3dB (at 250kHz)
Operating Pressure:	300m
Survival Pressure	400m
Max. Sound Pressure:	-4dB distortion level 210dB re 1μPa at 12V supply
Equivalent noise:	80dB re 1μPa (√H at 1 kHz)
Weight (in air):	410 grams (LEMO receptacle incl.)
Max. Output Voltage :	1 Vrms at 12VDC 2Vrms at 24VDC
Operating Temperature Range:	-2°C to +40°C
Storage Temperature Range:	-30°C to +50°C
Supply Voltage:	10VDC to 24VDC
Preamplifier Gain:	10dB
Output Drive Capability:	25m cable at 1M Ohm input
Insert cal. attenuation:	-30dB
Quiescent Current:	15mA at 12VDC 20.5 mA at 18VDC
Housing Material:	Stainless Steel AISI 316
Cable:	Standard 10m 4 cond.+ shielded Optional cable lengths available on request
Connector:	LEMO Series E four-pole watertight





Hydrophone TC4035

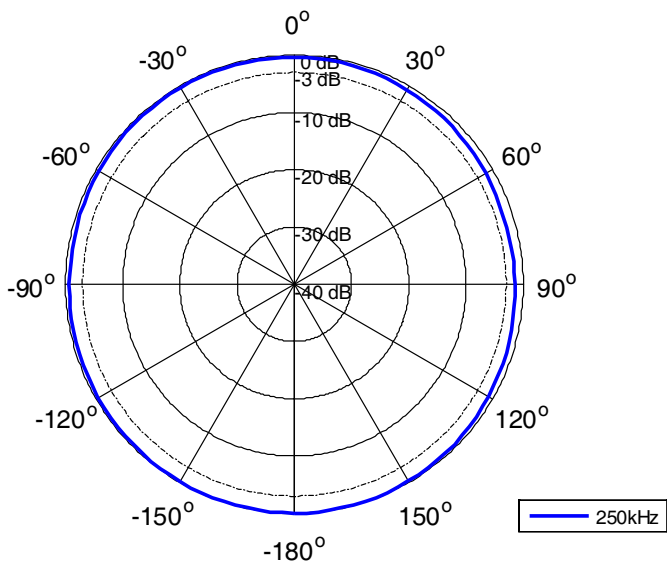
Broad Band Miniature Probe Hydrophone

The sensor element is permanently encapsulated in high density polyurethane to ensure long term reliability. The strain relief and outer jacket of the cable is also made of high density polyurethane.

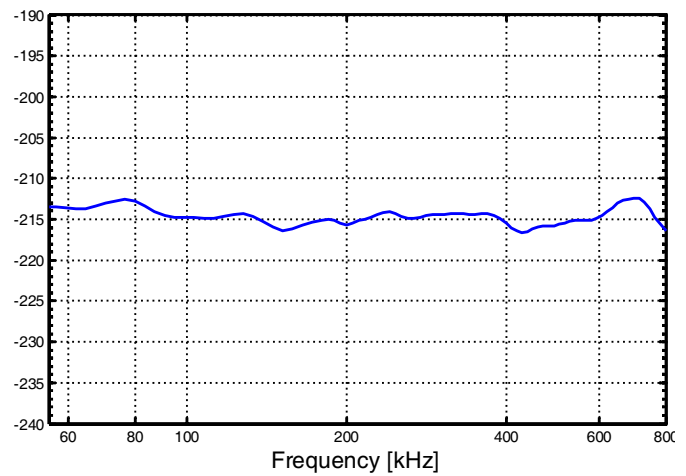
4035 can be used in sea or fresh water.

Documentation: Horizontal directivity: Receiving sensitivity: Vertical directivity:
At 250 kHz 50 kHz to 800 kHz At 250 kHz

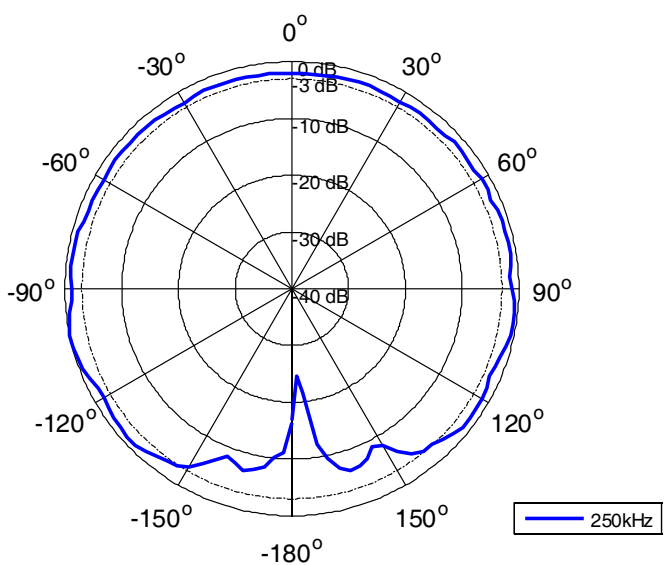
Horizontal directivity pattern



Receiving Sensitivity [dB re 1V/μPa @ 1m]



Vertical directivity pattern



Accessories included: LEMO fixed socket no. ERA.1E.304.CNL

The TC4035 is a high quality hydrophone designed for use as a transfer standard hydrophone. The sensor element has excellent stability over time, - which ensure reliable sensitivity over long periods.

Connecting the TC4035: The TC4035 is supplied with a 4-pole LEMO plug and a receptacle for individual panel mounting.

The EC6073 input module is a universal junction unit for connections of hydrophones. The TC6073 is equipped with the connectors required for: input output, voltage supply and insert calibration signal.

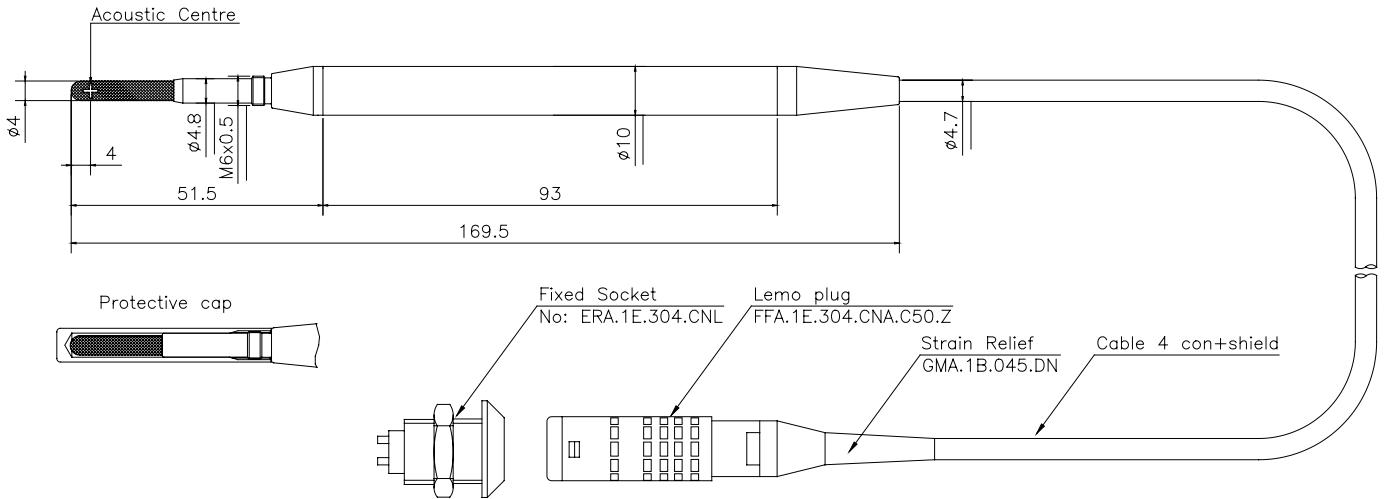
Insert voltage calibration: The insert calibration is an electrical simulation of a signal received from the acoustic sensor element.

Injecting a signal to the calibration line input performs insert calibration. The responding signal received on the hydrophone output terminal is attenuated -30 dB typical.

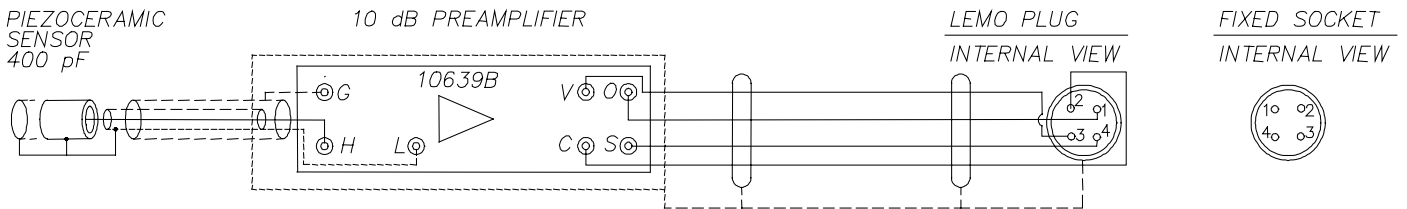
The recommended max. insert voltage signal for TC4035 is 2 Vpp.

WARNING! Exceeding the recommended calibration voltage may cause damage to the calibration resistor.

Outline Dimensions



Wiring Diagram



G = Guard
H = High
L = Low

V = Supply red
O = Output white
C = Calibrate blue
S = GND black

Explanation:

Terminal no.:	Function:	Colour:
1	Out	White
2	Cal.	Blue
3	Supply	Red
4	GND	Black



RESON reserves the right to change specifications without notice. © 2005 RESON A/S
For Acoustical Measurement Accuracy please refer to www.reson.com or contact sales.

RESON A/S
Denmark
Tel: +45 4738 0022
E-mail: reson@reson.dk

RESON GmbH
Germany
Tel: +49 431 720 7180
reson@reson-gmbh.de

RESON Inc.
USA
Tel: +1 805 964-6260
E-mail: sales@reson.com

RESON B.V.
The Netherlands
Tel: +31 (0)10 245 1500
info@reson.nl

RESON Offshore Ltd.
United Kingdom
Tel: +44 1224 709 900
E-mail: sales@reson.co.uk

RESON (Pte.) Ltd
Singapore
Tel: +65 6725 9851
sales@reson.com