

- Small compact design
- Good piezo ceramics
- Low cost

TC2111

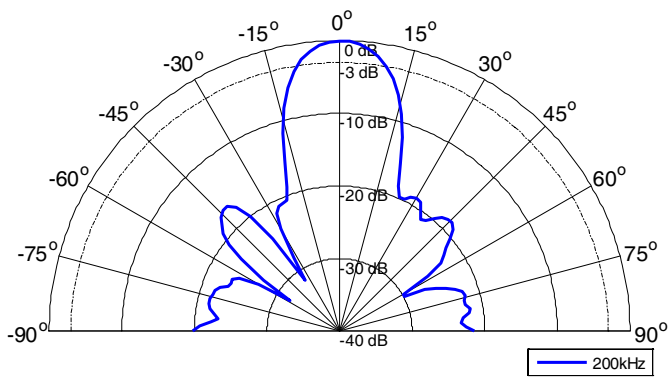
Compact low cost echosounder transducer.

TECHNICAL SPECIFICATIONS

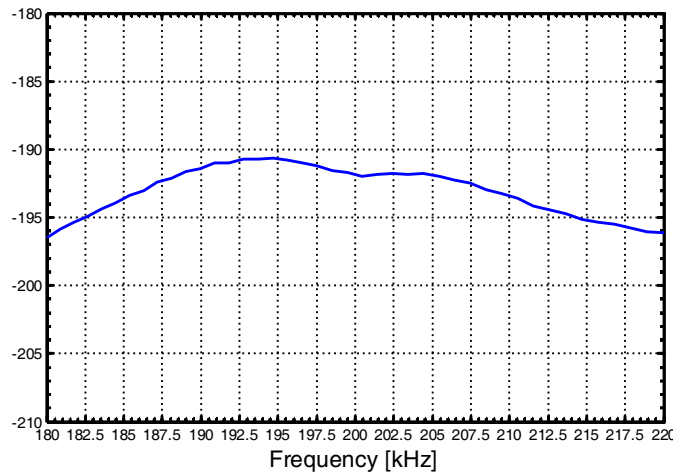
Resonant Frequency:	200KHz \pm 3KHz
Transmitting sensitivity:	163dB \pm 3dB (re 1 μ Pa/V at 1m)
Receiving Sensitivity:	-190dB \pm 3dB (re 1V/ μ Pa)
Impedance:	200ohm \pm 60ohm at 200kHz
Beam width:	18° \pm 3°
Beam shape:	Conical
Max input power:	50W (at 1% duty cycle)
Operating depth:	30m
Survival depth:	50m
Operating temperature range:	+2°C to +35°C
Storage temperature range:	-30°C to +50°C
Cable (length and type):	10m Coax 2*1 (O.D. 5mm) - pigtail
Weight in air, with cable:	0,4kg
Housing:	PVC with union nut



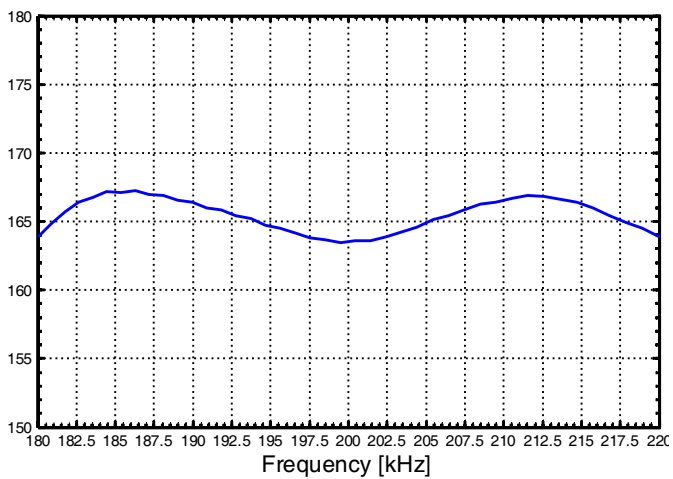
Horizontal Directivity Pattern



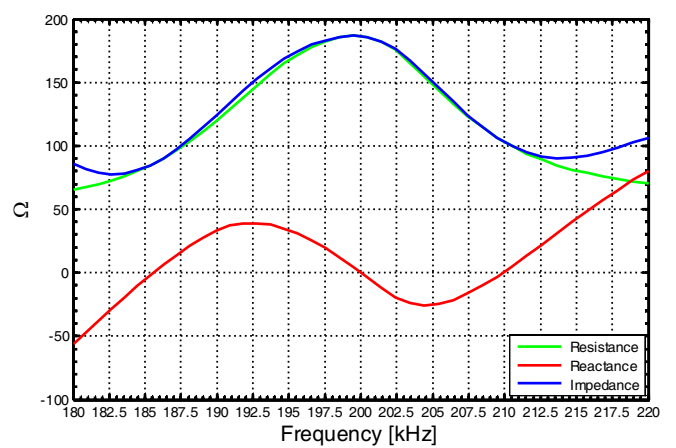
Receiving Sensitivity [dB re 1V/ μ Pa @ 1m]



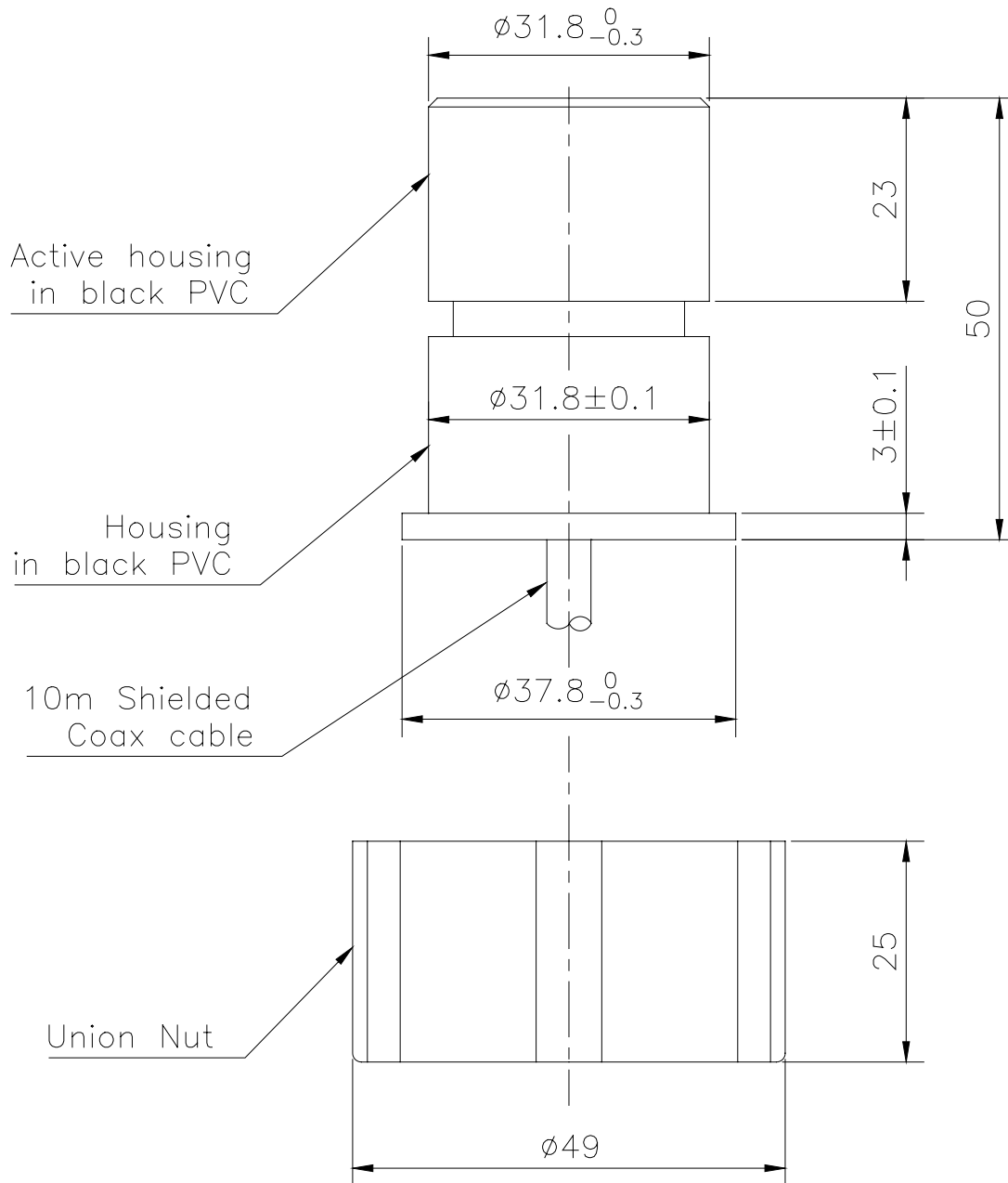
Transmitting Sensitivity [dB re 1 μ Pa/V @ 1m]



Impedance



Outline Dimensions



RESON reserves the right to change specifications without notice. © 2006 RESON A/S
For Acoustical Measurement Accuracy please refer to www.reson.com or contact sales.

RESON A/S
Denmark
Tel: +45 4738 0022
E-mail: reson@reson.dk

RESON GmbH
Germany
Tel: +49 431 720 7180
E-mail: reson@reson-gmbh.de

RESON Inc.
USA
Tel: +1 805 964-6260
E-mail: sales@reson.com

RESON B.V.
The Netherlands
Tel: +31 (0)10 245 1500
E-mail: info@reson.nl

RESON Offshore Ltd.
United Kingdom
Tel: +44 1224 709 900
E-mail: sales@reson.co.uk

RESON Mediterranean SRL
Italy
Tel: +39-051-572-643
E-mail: info@reson.it